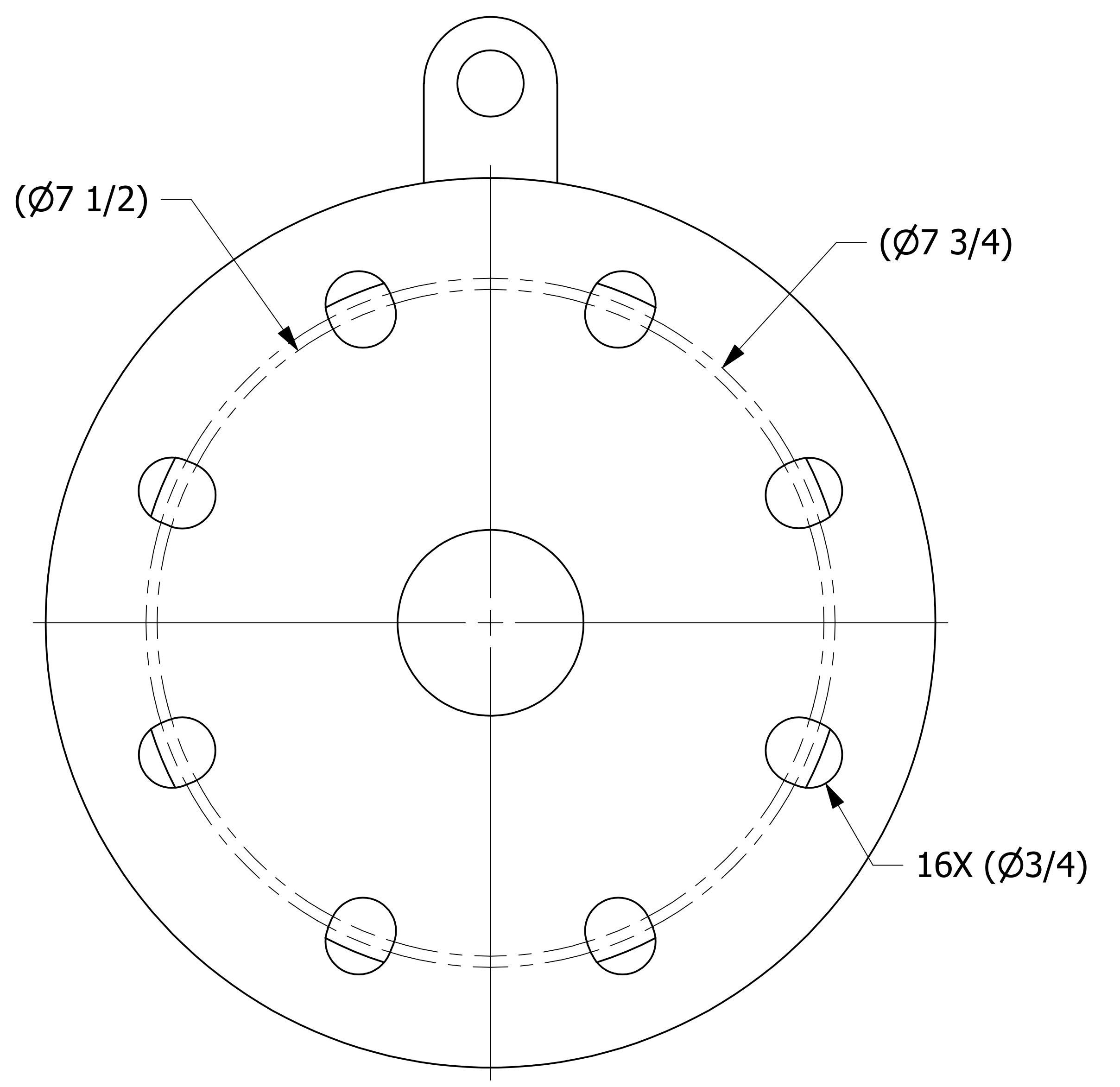
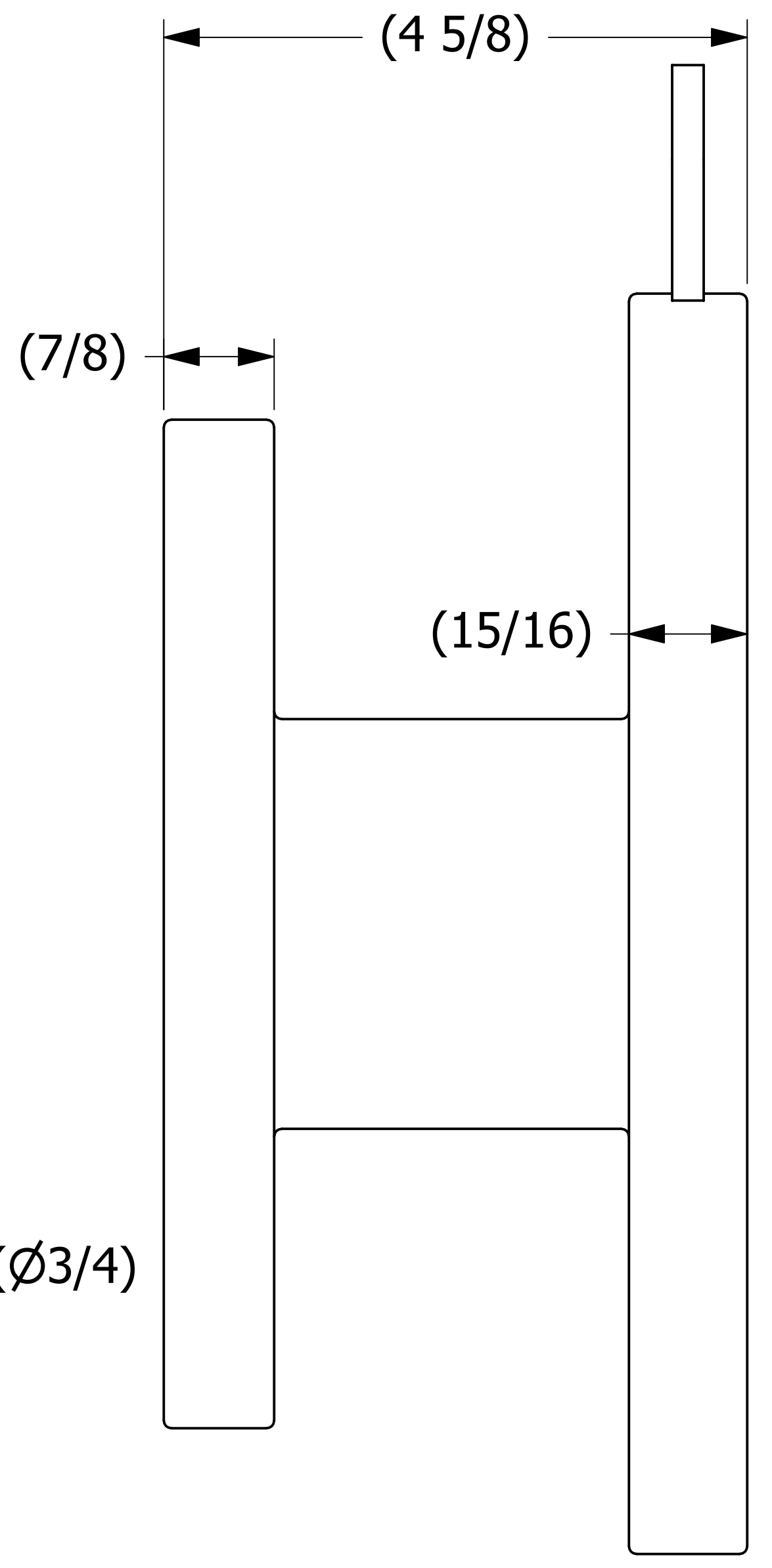
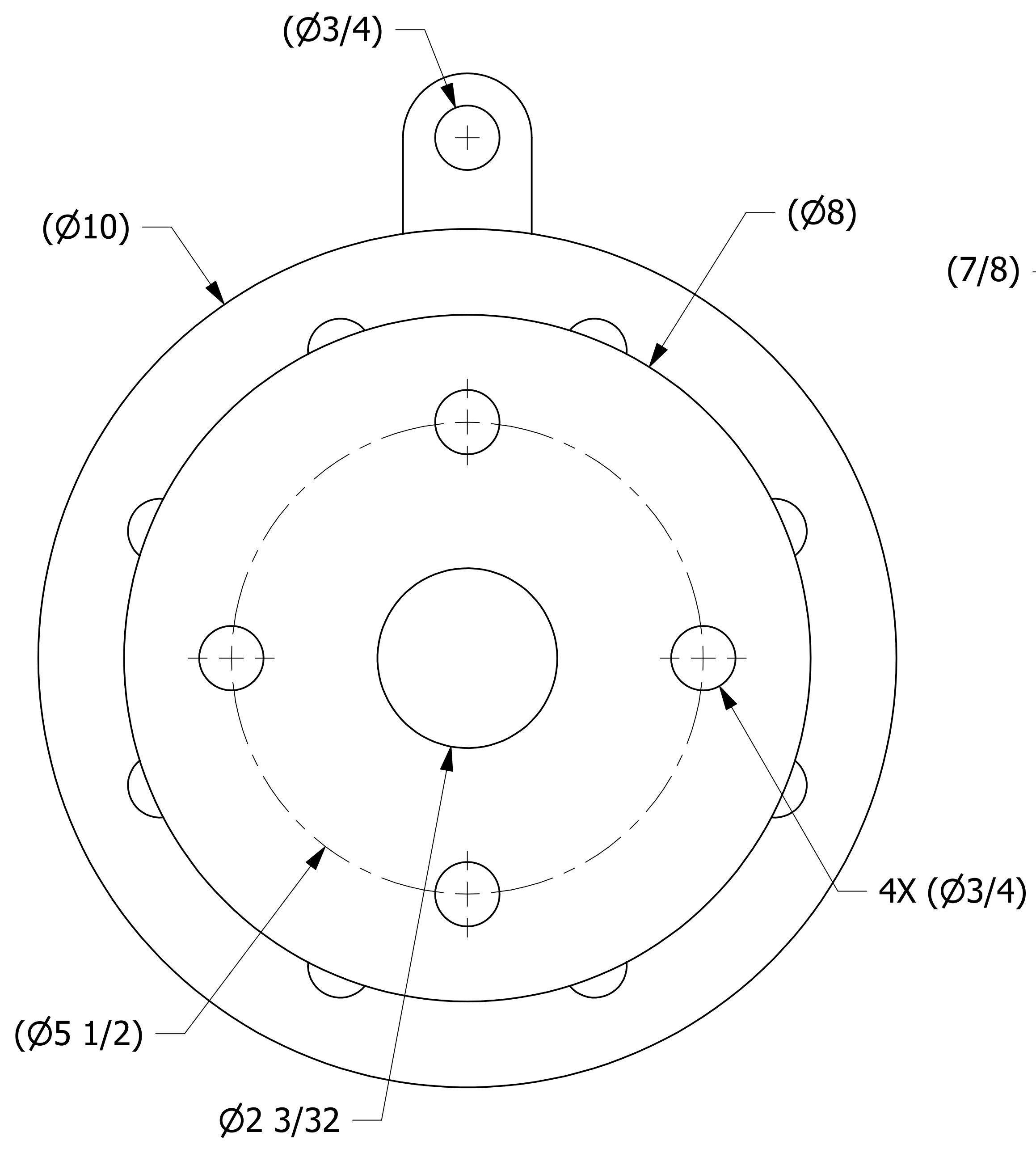


SALES DRAWING SALES DRAWING

SALES DRAWING SALES DRAWING



UNLESS OTHERWISE SPECIFIED DIMENSIONAL TOLERANCES	
FRACTIONAL:	±1/16
X.XX:	±.03
X.XXX:	±.015
ANGULAR:	±1°
<small>THIS PRINT, PROPERTY OF SALCO PRODUCTS INC, CONTAINS PROPRIETARY INFORMATION AND MUST NOT BE COPIED, REPRODUCED, OR USED DETRIMENTALLY TO OUR INTEREST.</small>	
THIRD ANGLE PROJECTION	

DRAWN BY:	CHL
CHECKED BY:	PJG
PROTOTYPE BY:	CHL
PROTOTYPE DATE:	6/18/2008
APPROVED FOR PRODUCTION BY:	
PRODUCTION DATE:	

1	JRS	9-14-11	DRAWING ADDED TO THE NETWORK	
REV	BY	DATE	DESCRIPTION	
SALCO PRODUCTS, INC.				
PART NAME: DOUBLE FLANGE 5 1/2"X7 1/2"-7 3/4"				
MATERIAL: SEE BOM/NOTES				
PROJECT #: WAG0577		SHEET #: 1 OF 1		SCALE: 1:1
DRAWING #: D25486		PART #: DF5575775RLB		